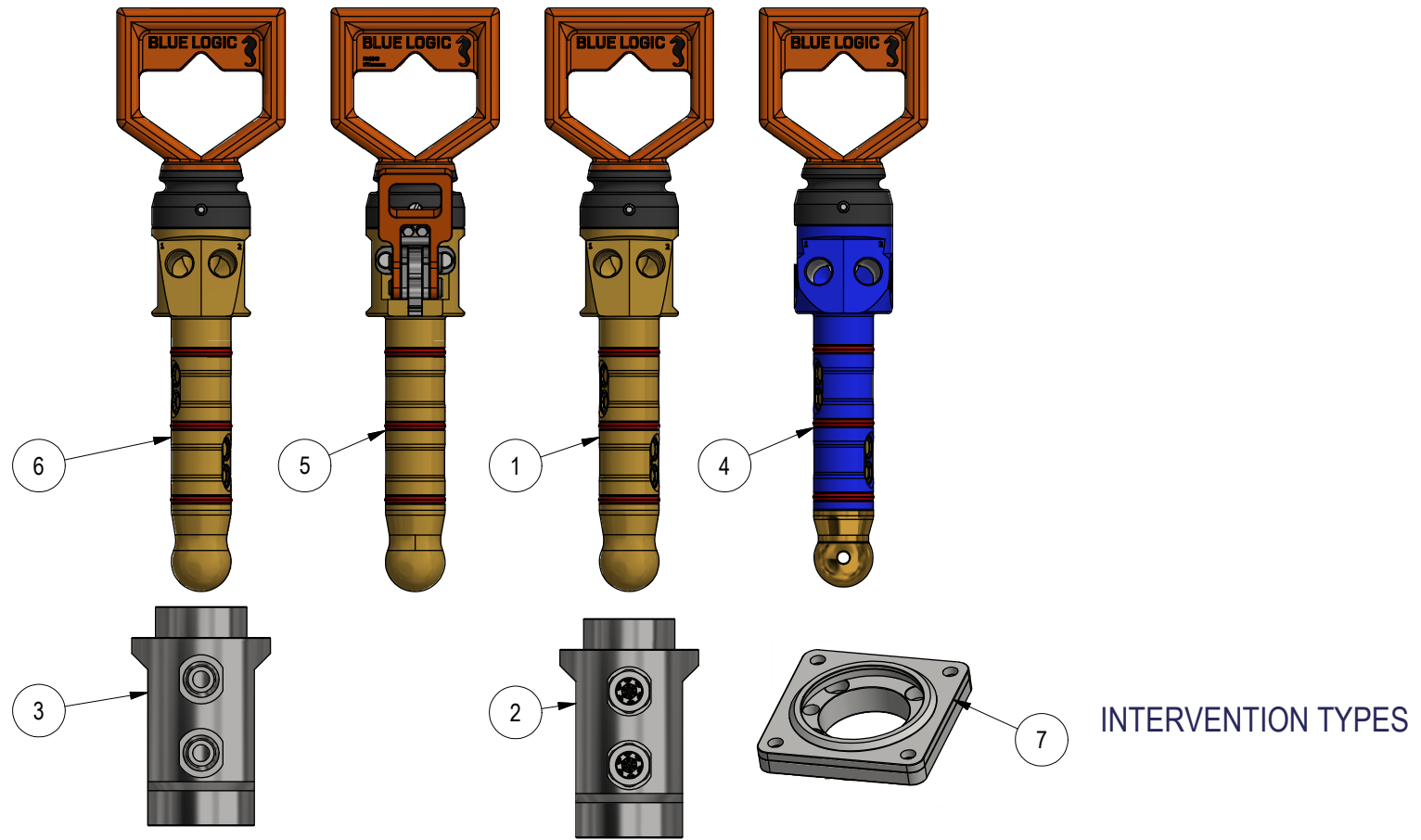


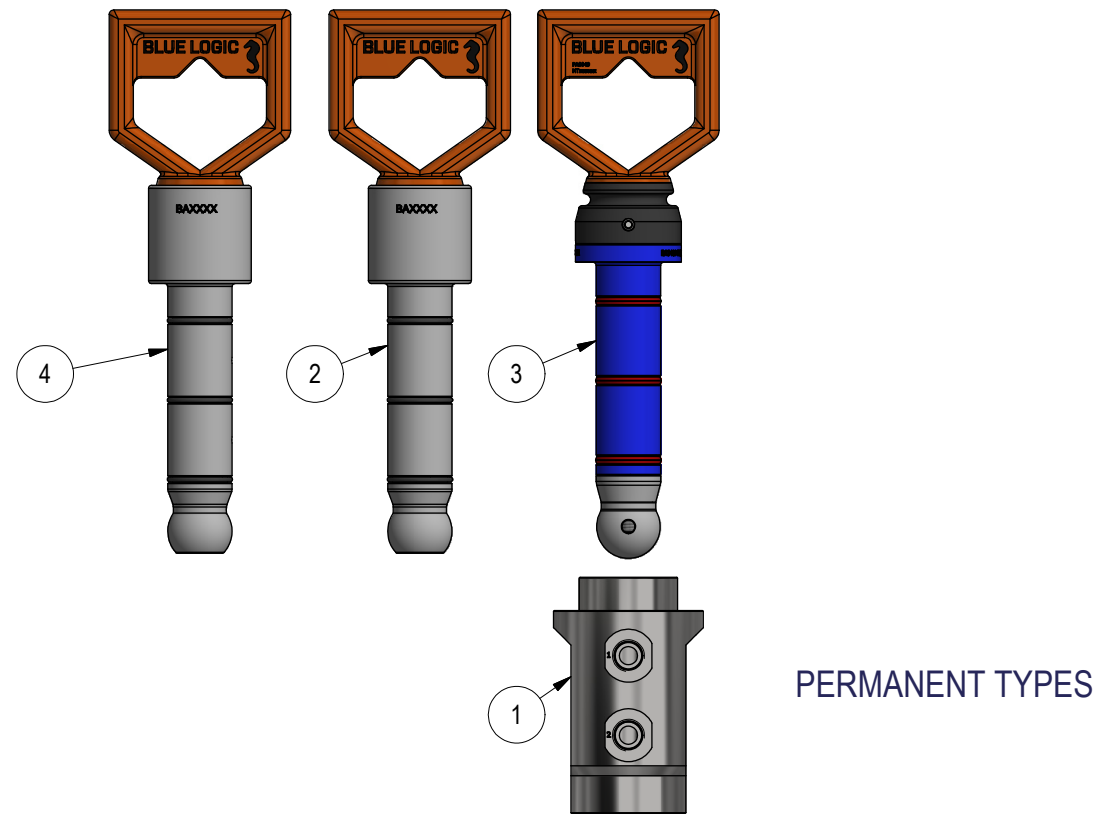
Parts List - Intervention Types				
ITEM	QTY	PART No.	DESCRIPTION	WEBLINK
1	1	BA7228	Ø43 DP Stab 5k Interv wCV 0,5-0,5 BSP 1/2" ID11mm	<a href="http://e-sea.bluelogic.no/main.aspx?page=article&amp;artno=BA7228">http://e-sea.bluelogic.no/main.aspx?page=article&amp;artno=BA7228</a>
2	1	BA3983	Ø43 DP Rec 10K Interv wCV BSP 1/2" ID7mm	<a href="http://e-sea.bluelogic.no/main.aspx?page=article&amp;artno=BA3983">http://e-sea.bluelogic.no/main.aspx?page=article&amp;artno=BA3983</a>
3	1	BA3982	Ø43 DP Rec 10k Interv BSP 1/2"	<a href="http://e-sea.bluelogic.no/main.aspx?page=article&amp;artno=BA3982">http://e-sea.bluelogic.no/main.aspx?page=article&amp;artno=BA3982</a>
4	1	BA3231	Ø43 DP Stab 10K Interv wCV BSP 1/2" ID8mm	<a href="http://e-sea.bluelogic.no/main.aspx?page=article&amp;artno=BA3231">http://e-sea.bluelogic.no/main.aspx?page=article&amp;artno=BA3231</a>
5	1	BA1428	Ø43 DP Stab 5k Interv wCV WL BSP 1/2" ID11mm	<a href="http://e-sea.bluelogic.no/main.aspx?page=article&amp;artno=BA1428">http://e-sea.bluelogic.no/main.aspx?page=article&amp;artno=BA1428</a>
6	1	BA1094	Ø43 DP Stab 5k Interv wCV BSP 1/2" ID11mm	<a href="http://e-sea.bluelogic.no/main.aspx?page=article&amp;artno=BA1094">http://e-sea.bluelogic.no/main.aspx?page=article&amp;artno=BA1094</a>
7	1	BA6570	Adapter Plates wLock Interface Ø43	<a href="http://e-sea.bluelogic.no/main.aspx?page=article&amp;artno=BA6570">http://e-sea.bluelogic.no/main.aspx?page=article&amp;artno=BA6570</a>



NOTE: 1  
DESIGN CODE:  
API 17H Type 1 Ø43 DP

NOTE: 2  
ADDITIONAL INFORMATION:  
Standard Hydraulic Interfaces

Parts List - Permanent Types				
ITEM	QTY	PART No.	DESCRIPTION	WEBLINK
1	1	BA5923	Ø43 DP Rec 10k Perm NPT 1/2"	<a href="http://e-sea.bluelogic.no/main.aspx?page=article&amp;artno=BA5923">http://e-sea.bluelogic.no/main.aspx?page=article&amp;artno=BA5923</a>
2	1	BA3740	Ø43 DP Prot Stab 10Bar Perm	<a href="http://e-sea.bluelogic.no/main.aspx?page=article&amp;artno=BA3740">http://e-sea.bluelogic.no/main.aspx?page=article&amp;artno=BA3740</a>
3	1	BA3488	Ø43 DP Press Stab 10k Perm	<a href="http://e-sea.bluelogic.no/main.aspx?page=article&amp;artno=BA3488">http://e-sea.bluelogic.no/main.aspx?page=article&amp;artno=BA3488</a>
4	1	BA3477	Ø43 DP Prot Stab Vented Perm	<a href="http://e-sea.bluelogic.no/main.aspx?page=article&amp;artno=BA3477">http://e-sea.bluelogic.no/main.aspx?page=article&amp;artno=BA3477</a>



PERMANENT TYPES

FOR INFORMATION ONLY

Rev.	Date	Reason for issue	Revision change	WTJ	Made	Chk'd	Appr.
01	29.6.2018	3-IFI (Issued for Information)					



Dwg Scale:	NTS
Dwg Proj:	
Dwg Format:	A3

Drawing title:	Ø43 DP Stab & Rec Overview	
Drawing number:	BB2090	Rev: 01